

# 10,000 LB 2-POST LIFT

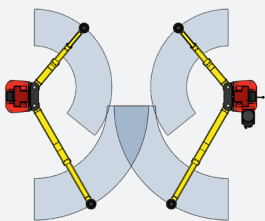
SA10 MODEL

Challenger Lifts 10,000 lb. 2-Post lift, the SA10, features the ability to be configured in either a symmetric or an asymmetric configuration to suit the service requirements of your shop.

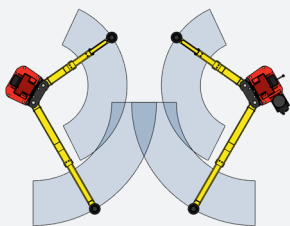
Featuring 3-Stage front arms with maximum extension and retraction, ensuring safe and reliable lifting on all vehicles within rated capacity. With adjustable height and width options, double telescoping screw pads, durable powder coat finish, plated arm restraints and pins and more the SA10 will accommodate the rigorous demands of any full-service facility.



## Symmetrical and Asymmetrical Configurations



Symmetrical Configuration



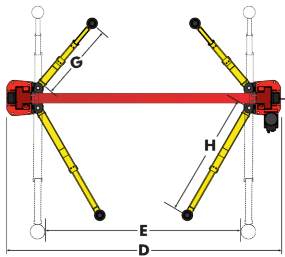
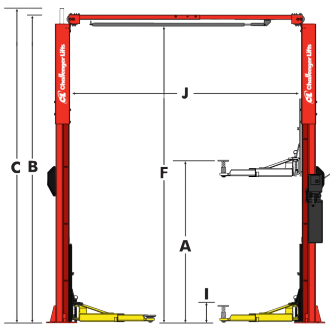
Asymmetrical Configuration



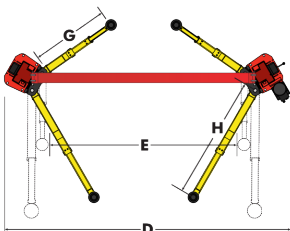
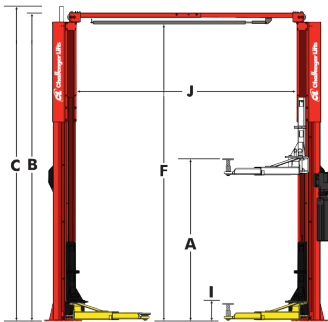
# FEATURES & BENEFITS


- 3-stage front arms providing greater sweep for versatility and ease of spotting.
- Premium double telescoping screw pads adjust to multiple heights minimizing the need for adapters.
- Adjustable heights and widths providing versatility at installation for service facilities with special constraints.
- Single-point mechanical lock release system allows technician to disengage both columns simultaneously.
- Padded overhead shut off system prevents vehicle damage.
- Powder coat finish provides long-lasting durability.
- Plated arm restraints and arm pins inhibit rust and provide long-lasting durability.
- Standard dual integrated rubber door guards help protect vehicle panels.

## Symmetric Configuration



## Asymmetric Configuration



Model Number	SA10	SA10
Lifting Capacity <sup>1</sup>	10,000 lbs.	10,000 lbs.
Lift Configuration	Symmetric	Asymmetric
Arm Configuration	3-Stage Front/2-Stage Rear	3-Stage Front/2-Stage Rear
Max Load Per Arm	2500 lbs	2500 lbs
A Rise Height (Cylinder Extended)	74.75"	74.75"
B Overall Height	Standard: 136.5" Extended Height: 142.5"	Standard: 136.5" Extended Height: 142.5"
C Overall Height (Cylinder Extended)	142.5"	142.5"
D Overall Width <sup>2</sup>	129" / 135"	131.5" / 137.5"
E Drive-Thru Clearance	92.75" / 98.75"	88.5" / 94.5"
F Floor to Overhead Switch	131.125" / 137.125"	131.125" / 137.125"
G Minimum Arm Reach	22.375" / 41.5"	22.375" / 41.5"
H Maximum Arm Reach	38.25" / 59"	38.25" / 59"
I Screw Pad Height	4.75" - 6.875"	4.75" - 6.875"
Adjustable Adapter Height	7.5" - 9.75"	7.5" - 9.75"
J Between Columns	106.75" / 112.75"	101.5" / 107.5"
Motor / Voltage	2HP, 208v-230v, 60Hz, 1Ph	
Rise Time	43s	
Ceiling Height Required	Standard: 12'	
ALI/ETL Certified	✓	
Available Colors		

<sup>1</sup> Rise height is measured with adjustable screw pads in highest position.

<sup>2</sup> Overall Width of Asymmetric lift is 11' 3" / 11' 9" including Power Unit.

\*Lift capacity ratings are based on loads equally distributed on all four arms.

\*\* Specifications are for Lift Model SA10 with optional accessory SA10EH2 column height extensions.

