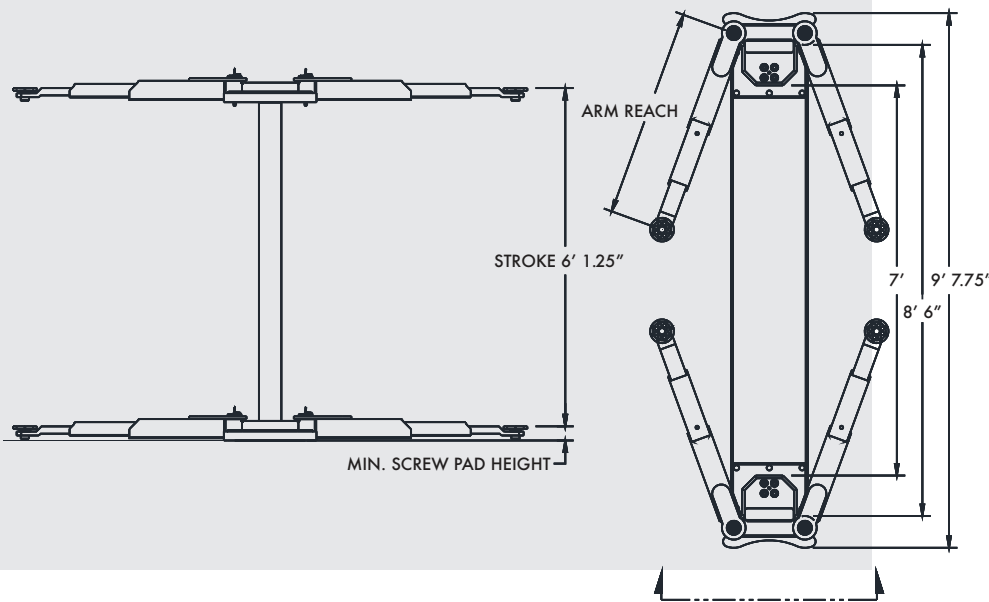




### SERVICE BAY LAYOUT



# EW08

## SITE SPECIFICATIONS

- **BAY HEIGHT:** 12' minimum
- **BAY WIDTH:** 12' recommended
- **BAY DEPTH:** 24' recommended
- **POWER REQ.:** 208-230v Single Phase\*, 30-amp breaker
- **AIR REQUIRED:** 90-120 psi

Model Number	EW0820
Lifting Capacity	8,000 lbs.
Rise Height	73.25"
Width Overall	115.75"
Drive-Thru Clearance	102"
Arm Reach Min	25.25"
Arm Reach Max	45.25"
Min. Screw Pad Height	3.75"
Capacity (Per Arm)	2,000 lb.
Guide Plunger Diameter	5"
Motor	3HP
Voltage (Single Phase Std.)	208v - 230v
Speed of Rise	38 s
Air Required	90 - 120 psi
ALI/ETL Certified	√
Super Structure Color	■

\*3-phase upgrade is available for purchase